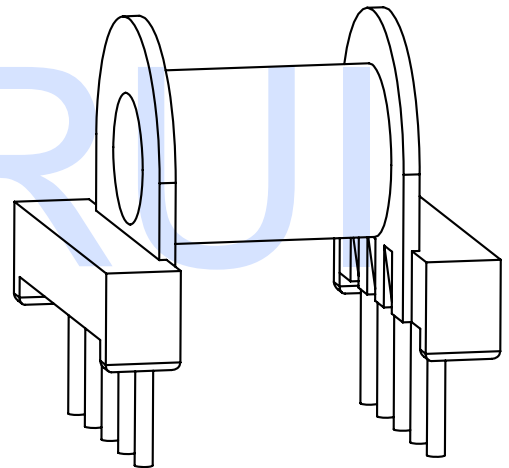
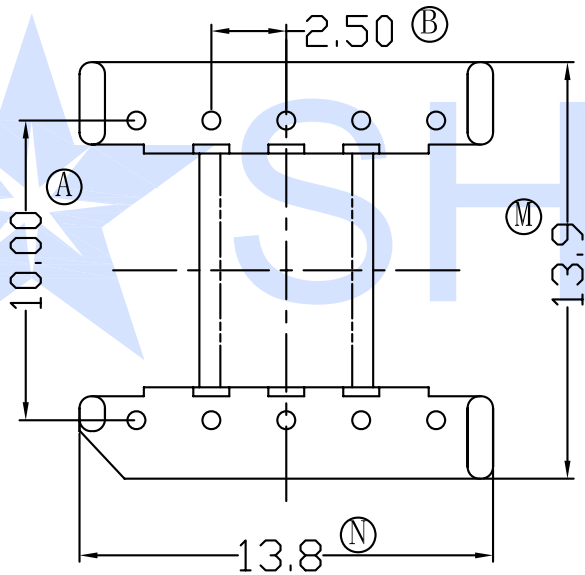
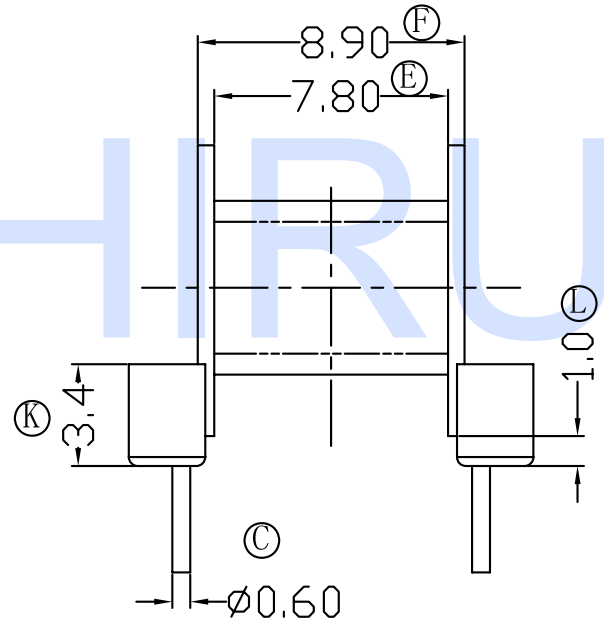
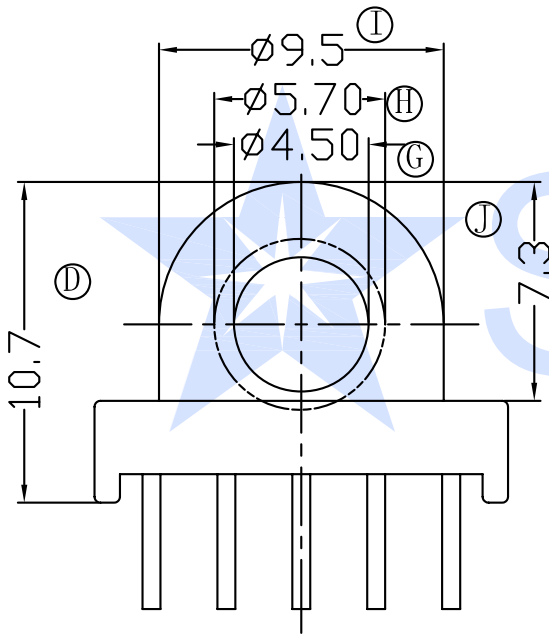


P/N

SR-EP 1301




**Hefei Shirui Electronic Technology Co., Ltd**

TEL : (0086) 55165232650

sales@shiruitech.com

www.shiruitech.com

SR NO. <b>SR-EP 1301</b>	MATERIAL: PHENOLIC	UNIT: mm TOLERANCE	DRN.	WILL H
MODEL NAME: <b>EP13-10P-1S H</b>	UL REC: UL 94V-0  ANGLE: ±°  SCALE 1:1	0 L 4 ±0.10 4 L 16 ±0.20 16 L 64 ±0.30 PIN PITCH ±0.05	CHD.  ISSD.	IRINA LEE  JAMES HU